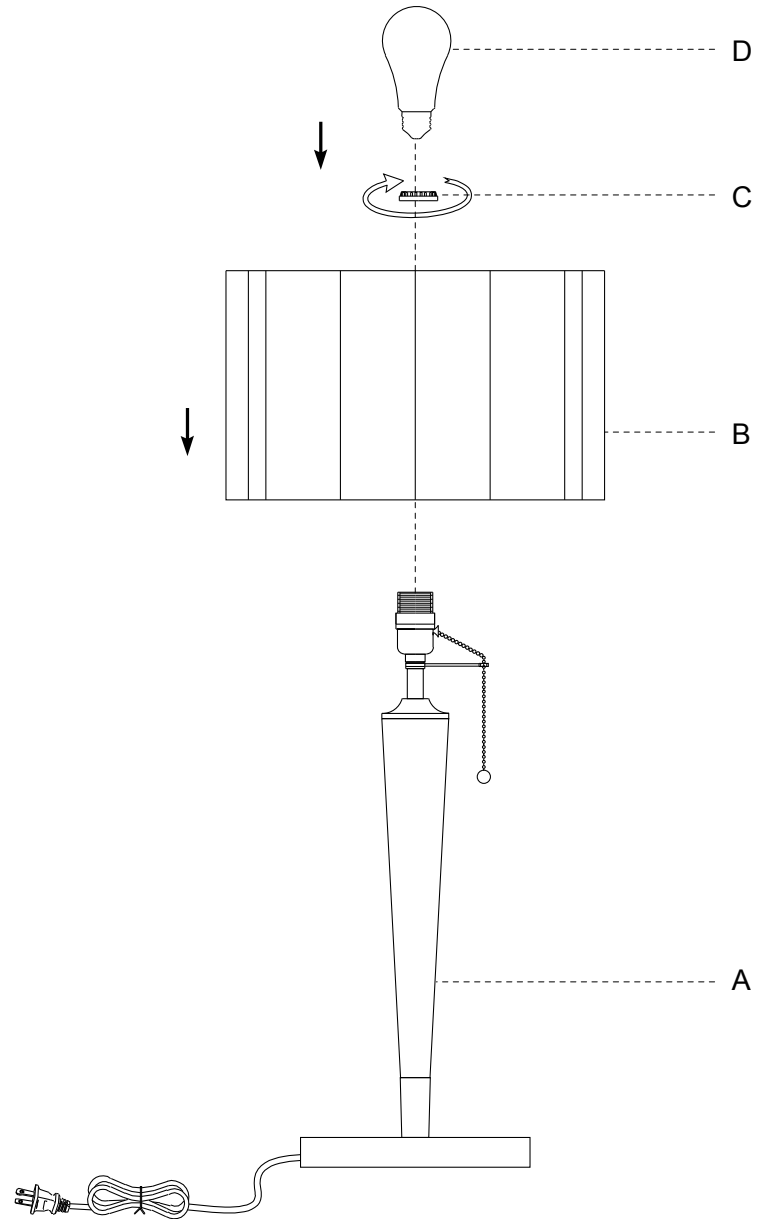


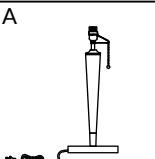
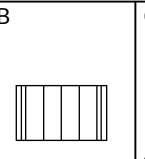


# ASSEMBLY INSTRUCTIONS

## SCALLOP TABLE LAMP

1011802WB

1. Carefully remove all parts from the carton and place them on a clean surface. Please refer to the below list of components included inside the carton.
2. Place the lamp shade (B) onto the lamp body (A) and secure with the socket ring (C).
3. Insert the bulb (D) provided (14W A19 E26 2700K Lumens). Flicker-free On/Off LED.
4. Plug into a surge protected 110V outlet and enjoy the beautiful light!



ITEMS INCLUDED / ARTICULOS INCLUIDOS			
A	B	C	D
			
LAMP BODY CUERPO DE LA LÁMPARA	LAMP SHADE PANTALLA	SOCKET RING ANILLO DE ENCHUFE	BULB BOMBILLA

### IMPORTANT SAFETY INSTRUCTIONS

This lamp has a polarized plug (one blade is wider than the other) as a safety feature to reduce the risk of electric shock. This plug will fit in a polarized outlet only one way. If the plug does not fit fully in the outlet, reverse the plug. If it still does not fit, contact a qualified electrician. Never use with an extension cord unless the plug can be fully inserted. Do not alter the plug.

For a step by step assembly video, please go to [www.novaofcalifornia.com](http://www.novaofcalifornia.com)

### IMPORTANTES INSTRUCCIONES DE SEGURIDAD

Esta lampara tiene un enchufe polarizado (una navaja es mas ancha que la otra) como forma de seguridad para reducir el riesgo de un shock electrico. Este enchufe polarizado entrara en una conexión solo de un lado. Si el enchufe no entra en la conexión trate al reverso. Si aun asi no entra, contacte a un electricista calificado. Nunca use una extension a menos que el enchufe pueda ser conectado completamente. No altere el enchufe.